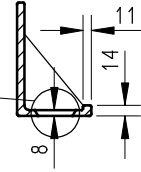
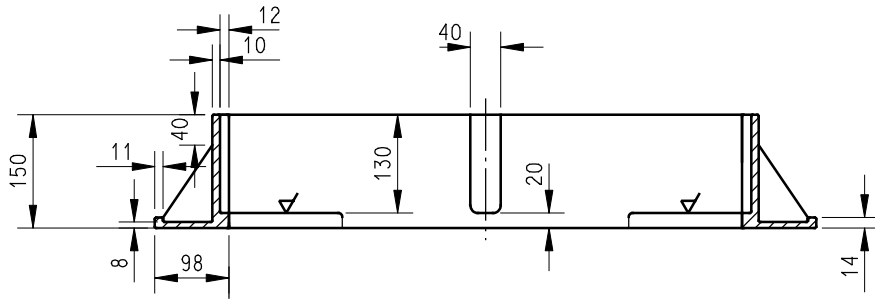


ENLARGED DETAIL

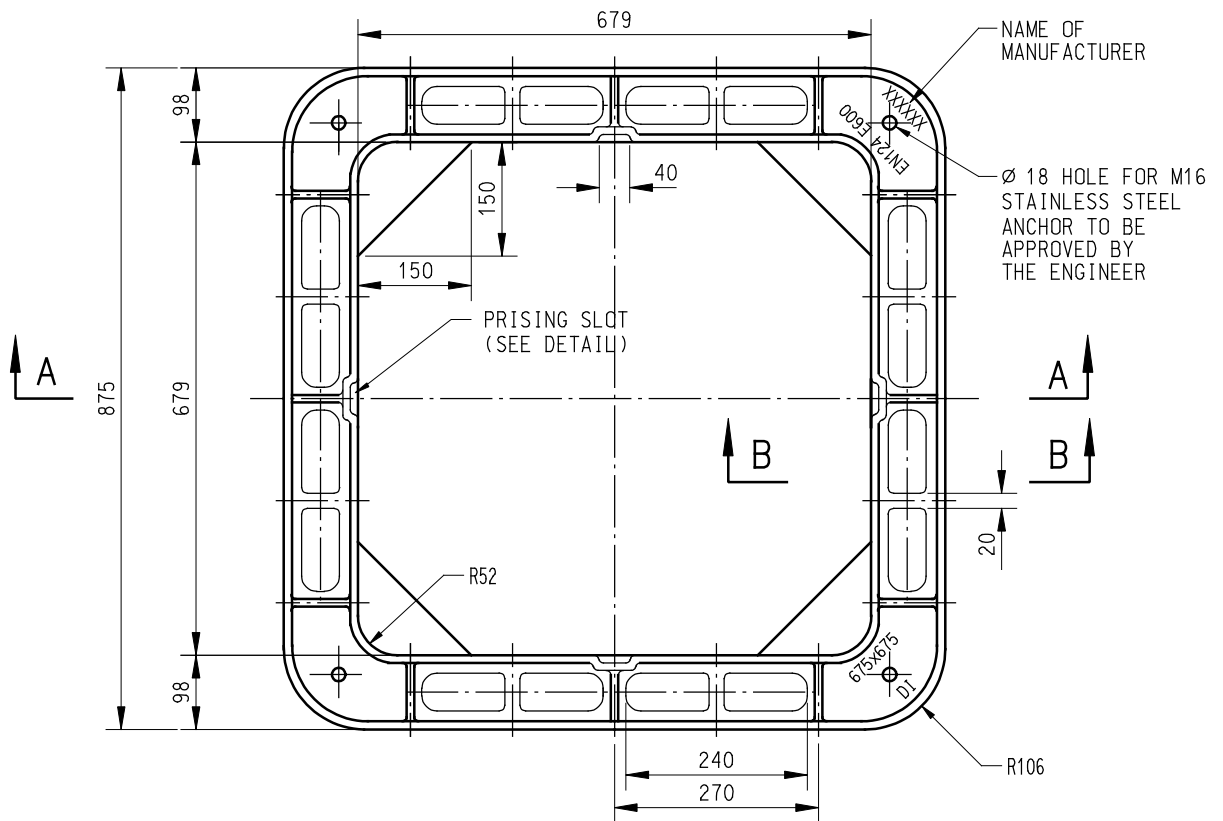
SCALE 1 : 5



SECTION B-B



SECTION A-A



PLAN OF FRAME

A	BOLT GRADE UPDATED	ORIGINAL SIGNED	10.5.2010
	NEW ISSUE	ORIGINAL SIGNED	15.8.2007
REV.	DESCRIPTION	SIGNATURE	DATE

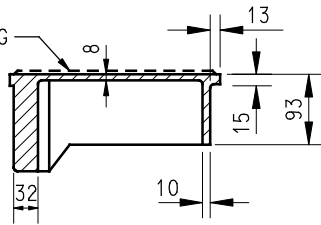
STANDARD 675 SQUARE DOUBLE
TRIANGULAR DUCTILE IRON
MANHOLE COVER & FRAME, CLASS E600

DRAINAGE SERVICES DEPARTMENT

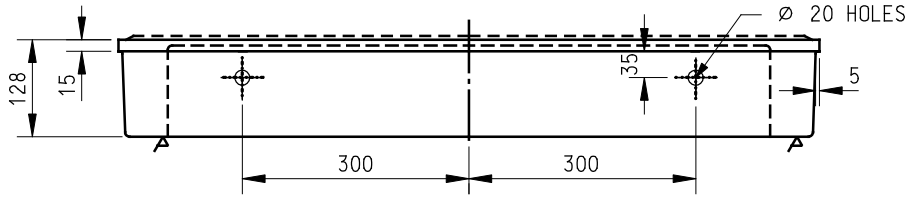
REFERENCE
SCALE
1 : 10 OR AS SHOWN

DRAWING No.
DS 1077A
(SHEET 1 OF 4)

5mm RAISED
CHEQUERS AND LETTERING

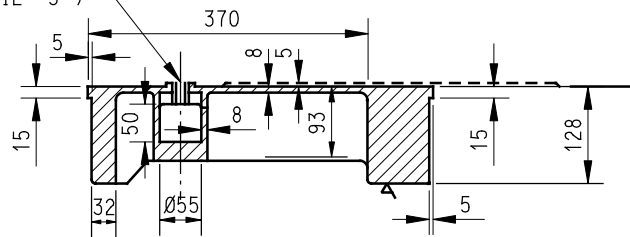


SECTION C - C
(SHOW RIGHT HALF ONLY)

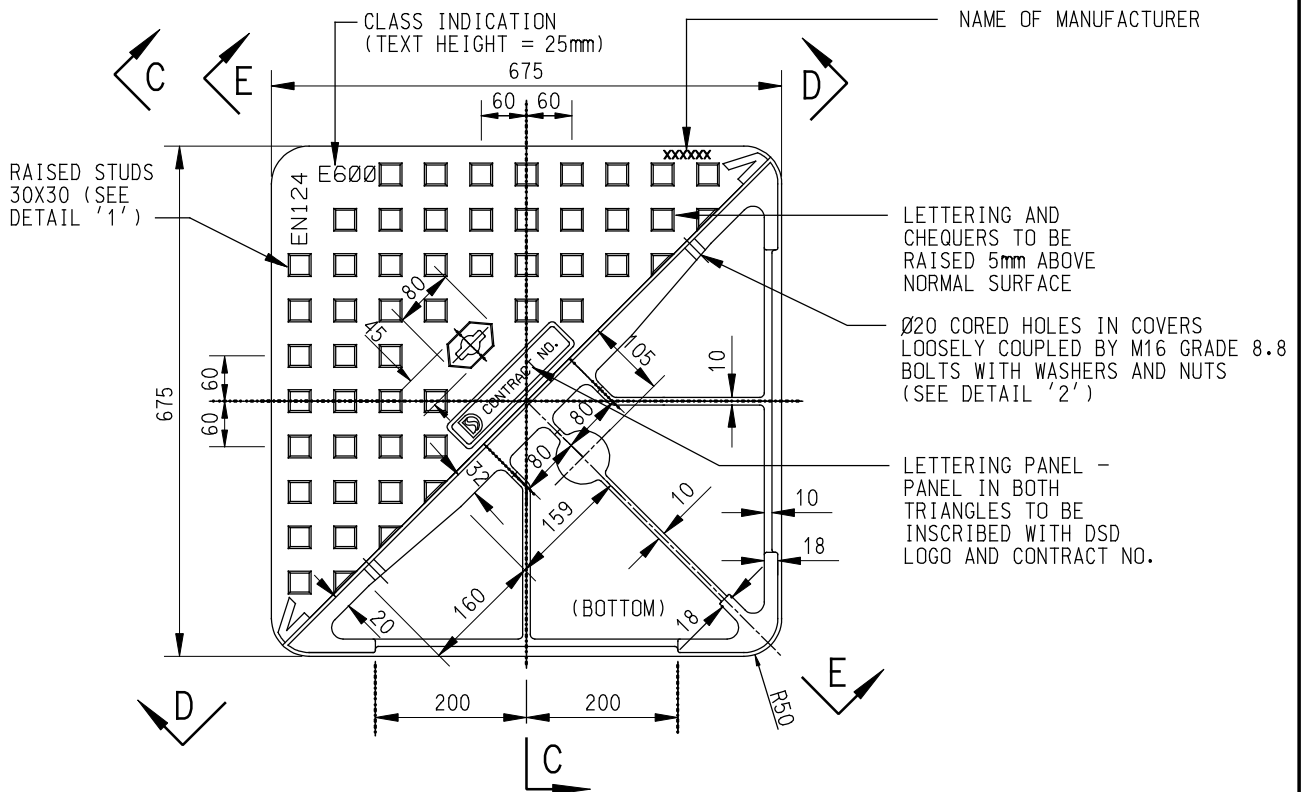


SECTION D - D

KEYHOLE (SEE DETAIL '3')



SECTION E - E
(SHOW RIGHT HALF ONLY)



PLAN OF SEWER MANHOLE COVER

NAME OF MANUFACTURER

CLASS INDICATION
(TEXT HEIGHT = 25mm)

RAISED STUDS
30X30 (SEE
DETAIL '1')

LETTERING AND
CHEQUERS TO BE
RAISED 5mm ABOVE
NORMAL SURFACE

Ø20 CORED HOLES IN COVERS
LOOSELY COUPLED BY M16 GRADE 8.8
BOLTS WITH WASHERS AND NUTS
(SEE DETAIL '2')

LETTERING PANEL -
PANEL IN BOTH
TRIANGLES TO BE
INSCRIBED WITH DSD
LOGO AND CONTRACT NO.

A	BOLT GRADE UPDATED	ORIGINAL SIGNED	10.5.2010
	NEW ISSUE	ORIGINAL SIGNED	15.8.2007
REV.	DESCRIPTION	SIGNATURE	DATE

STANDARD 675 SQUARE DOUBLE
TRIANGULAR DUCTILE IRON
MANHOLE COVER & FRAME, CLASS E600

DRAINAGE SERVICES DEPARTMENT

REFERENCE

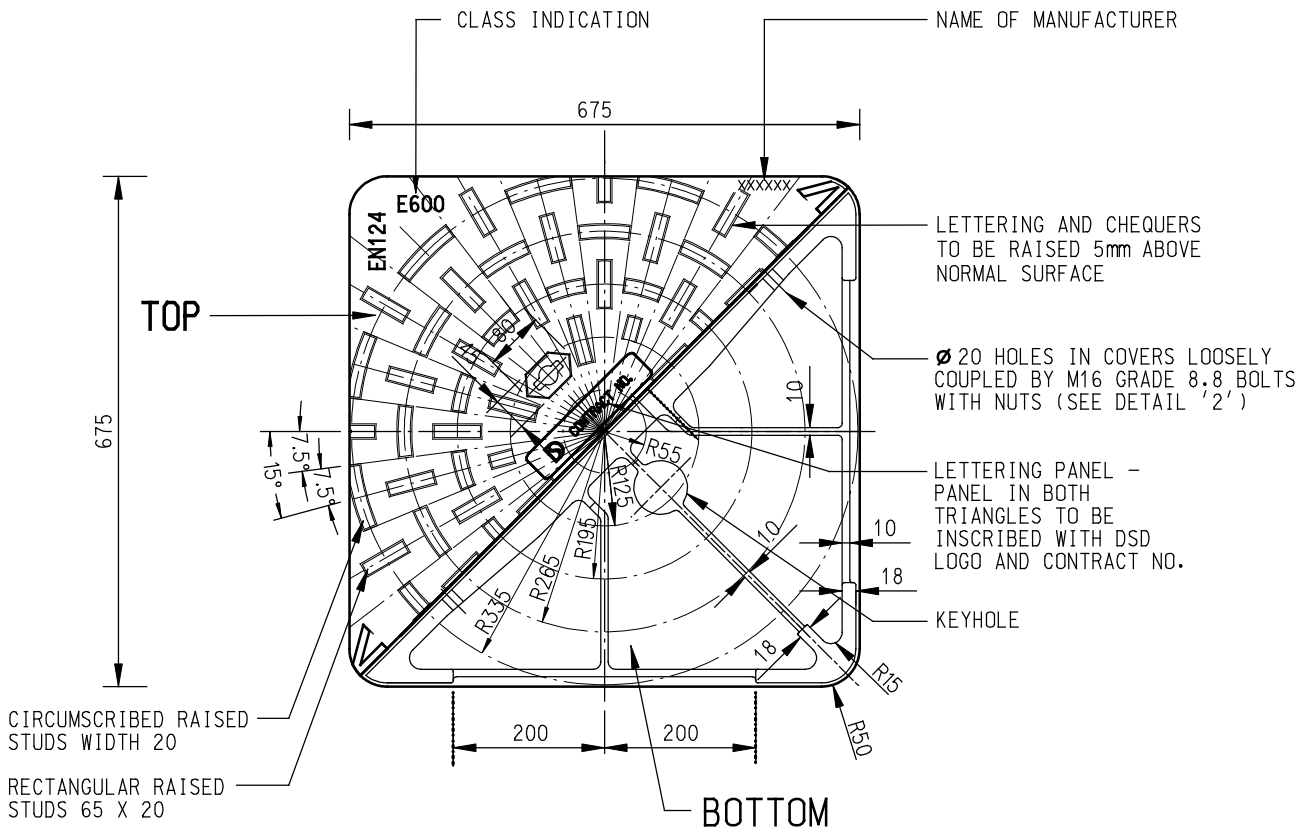
DRAWING No.

SCALE

1 : 10 OR AS SHOWN

DS 1077A

(SHEET 2 OF 4)



PLAN OF STORM WATER MANHOLE COVER

NOTES :

DIMENSIONS FOR THE BOTTOM SIDE OF DOUBLE TRIANGULAR MANHOLE COVER IS NOT SHOWN FOR CLARITY WHICH HAS SHOWN ON SHEET 2

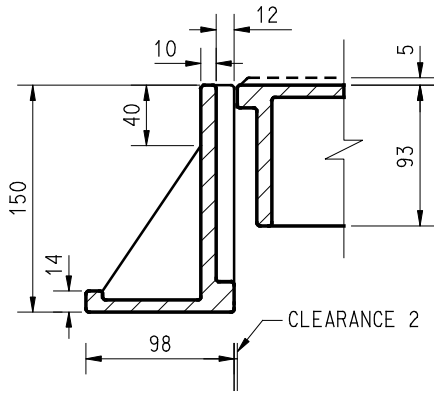
A	BOLT GRADE UPDATED	ORIGINAL SIGNED	10.5.2010
	NEW ISSUE	ORIGINAL SIGNED	15.8.2007
REV.	DESCRIPTION	SIGNATURE	DATE

STANDARD 675 SQUARE DOUBLE
TRIANGULAR DUCTILE IRON
MANHOLE COVER & FRAME, CLASS E600

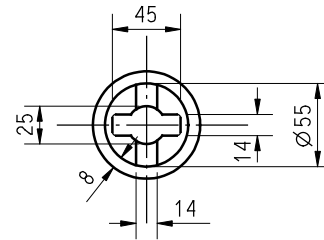
DRAINAGE SERVICES DEPARTMENT

REFERENCE
SCALE
1 : 10 OR AS SHOWN

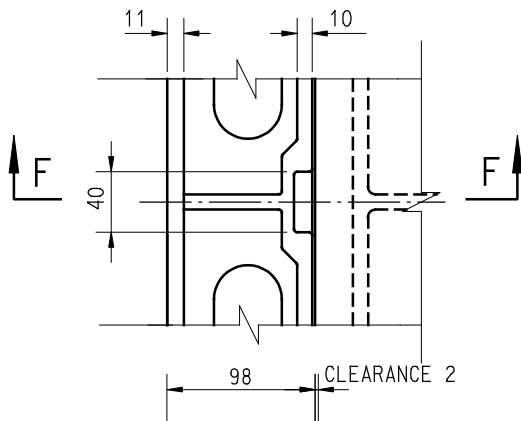
DRAWING No.
DS 1077A
(SHEET 3 OF 4)



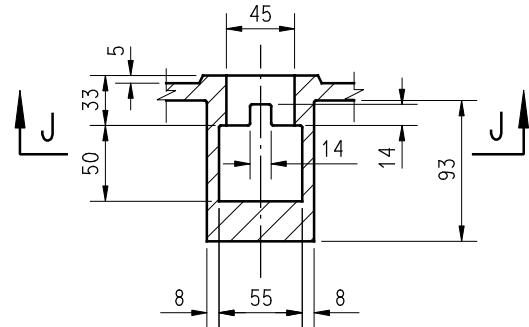
SECTION F - F



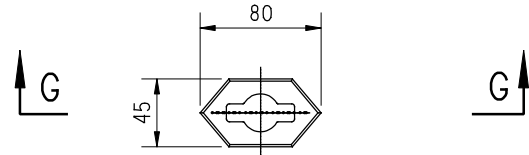
DETAIL J - J



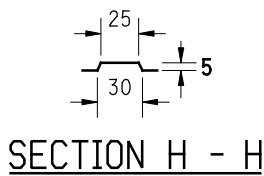
PRISING SLOT DETAIL



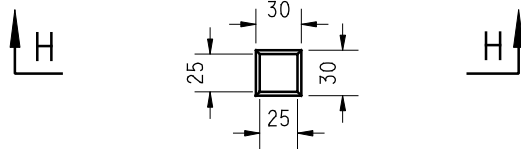
SECTION G - G



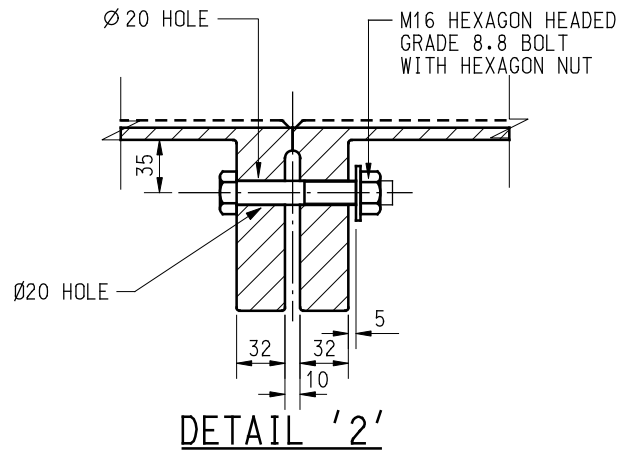
DETAIL '3'



SECTION H - H



DETAIL '1'



DETAIL '2'

NOTES :

1. ALL DIMENSIONS ARE IN MILLIMETRES.
2. REMOVE SHARP EDGES, MACHINED SURFACE ARE MARKED WITH " ∇ " .
3. THIS DRAWING SHALL BE READ IN CONJUNCTION WITH DS 1076.

A	BOLT GRADE UPDATED	ORIGINAL SIGNED	10.5.2010
	NEW ISSUE	ORIGINAL SIGNED	15.8.2007
REV.	DESCRIPTION	SIGNATURE	DATE

STANDARD 675 SQUARE DOUBLE
TRIANGULAR DUCTILE IRON
MANHOLE COVER & FRAME, CLASS E600

DRAINAGE SERVICES DEPARTMENT

REFERENCE

DRAWING No.

SCALE

1 : 5 OR AS SHOWN

DS 1077A

(SHEET 4 OF 4)